



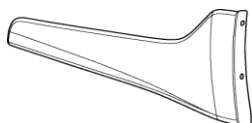
GENUINE PARTS

INSTALLATION INSTRUCTIONS

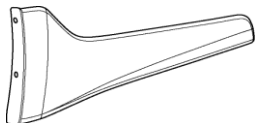
DESCRIPTION:	Splash Guard - Rear Kit
APPLICATION:	Q50
PART NUMBER:	999J2 J2xxx04 (xx Designates color)

KIT CONTENTS:

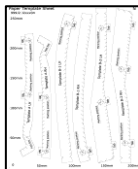
Item	Qty.	Part Description	Service Part Number
A	1	Splash Guard - Rear Right	---
B	1	Splash Guard - Rear Left	---
C	1	Paper template sheet	---
D	1	Installation Instruction Replacement Template	999V2 AW000
E	1	Installation Hardware Kit	---
F	10	• Spring Nut M5	12-41 01011
G	10	• Phillips Screw M5 x 20mm	14-51 00891



A



B



C



D



F



G

TOOLS REQUIRED:

- Phillips head short screwdriver
- Drill
- 3 mm (1/8"), and 6mm (1/4") drill bit
- Awl or center punch
- Scissors
- Masking tape
- Clean, lint-free wiping cloth
- Mild soap / water mixture
- 90% or greater alcohol

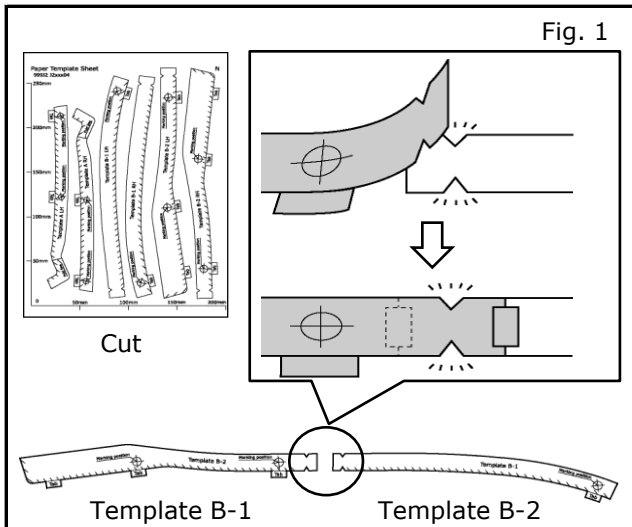
PRE-INSTALLATION WARNINGS, CAUTIONS, CRITICAL STEPS, and NOTES:

- Dealer Installation Recommended. Instructions may refer to Service Manual.
- These instructions are for left side of vehicle; same procedure applies to right side.

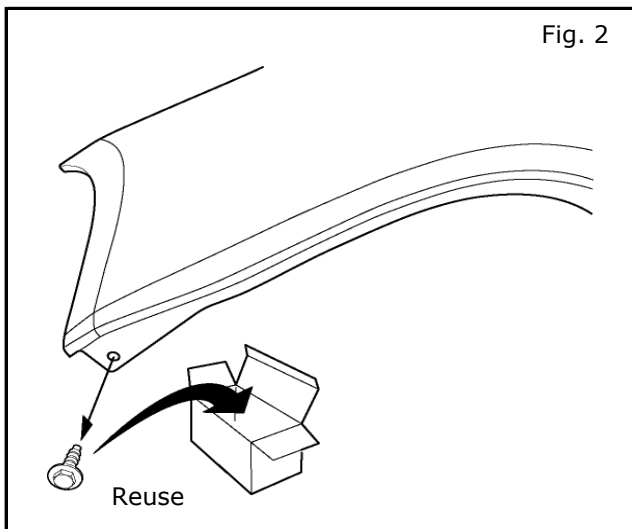
CAUTION

- Install the splash guards when the ambient temperature is above 60°F (15°C).
- Do not wash or expose the vehicle to a wet environment for 24 hours after installing the splash guards.

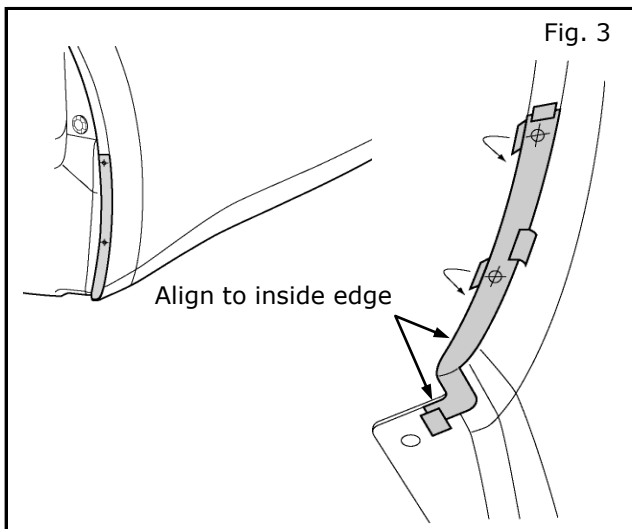
INSTALLATION PROCEDURE:



- 1) Jack up vehicle to access bottom screws.
- 2) Cut paper template sheet.
- 3) Align V notch on template B-1 and B-2. Fix each with masking tape.

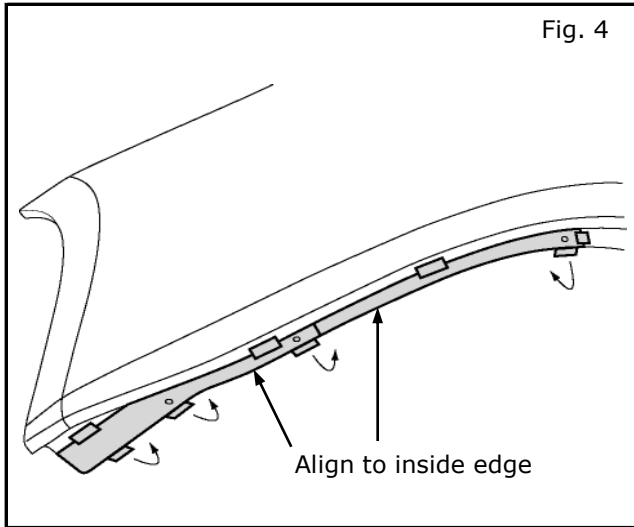


- 4) Remove screw from rear bumper and keep to reuse.

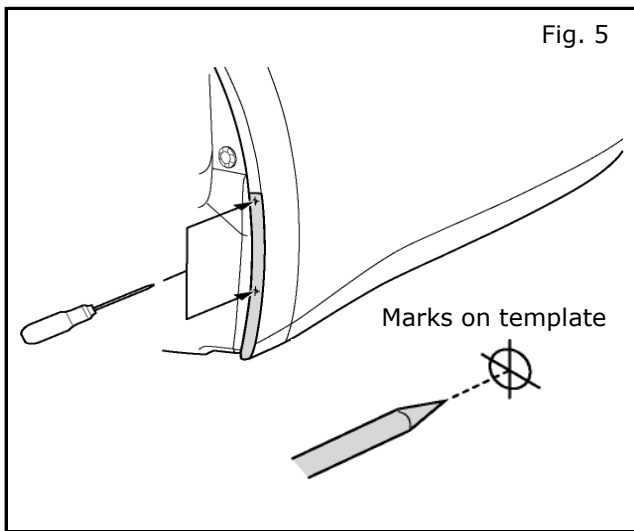


- 5) Align template A on rear bumper wheel house flange and apply masking tape.

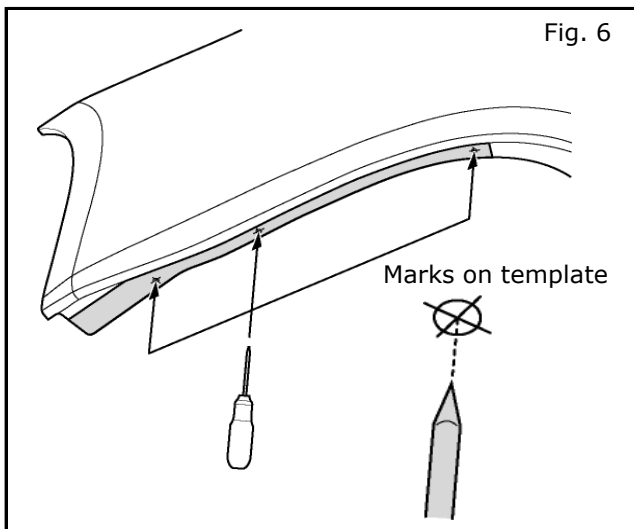
INSTALLATION PROCEDURE:



- 6) Align template B-1 and B-2 on rear bumper bottom surface and apply masking tape.

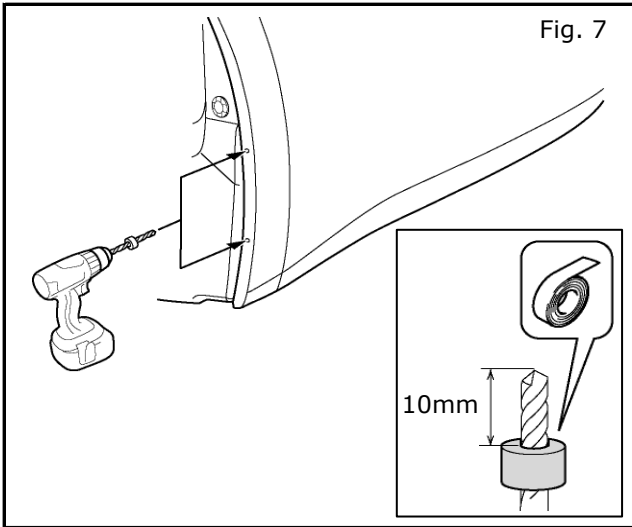


- 7) Mark hole positions with awl and remove template.

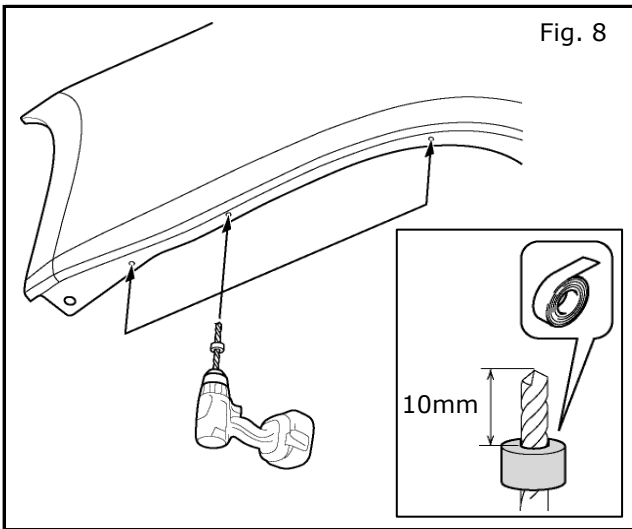


- 8) Mark hole positions with awl and remove template.

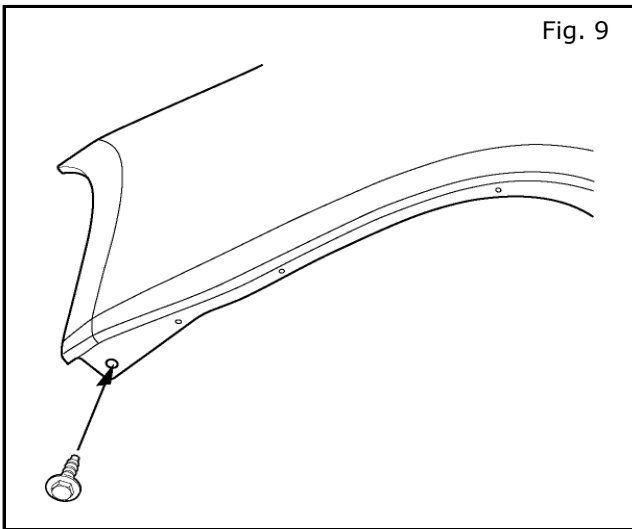
INSTALLATION PROCEDURE:



9) Drill 3mm(1/8")→6mm(1/4") holes at 2 marked locations.

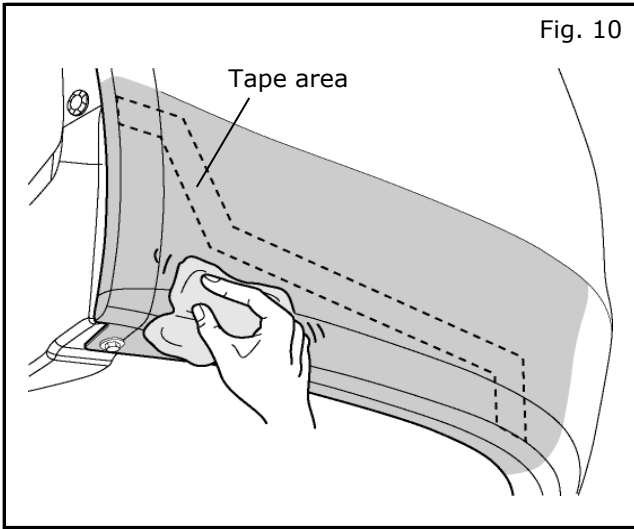


10) Drill 3mm(1/8")→6mm(1/4") holes at 3 marked locations.

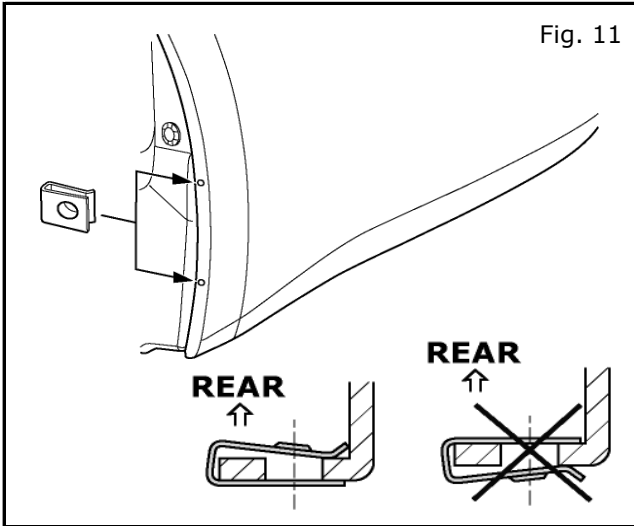


11) Reinstall existing screw to rear bumper.
12) Lower vehicle.

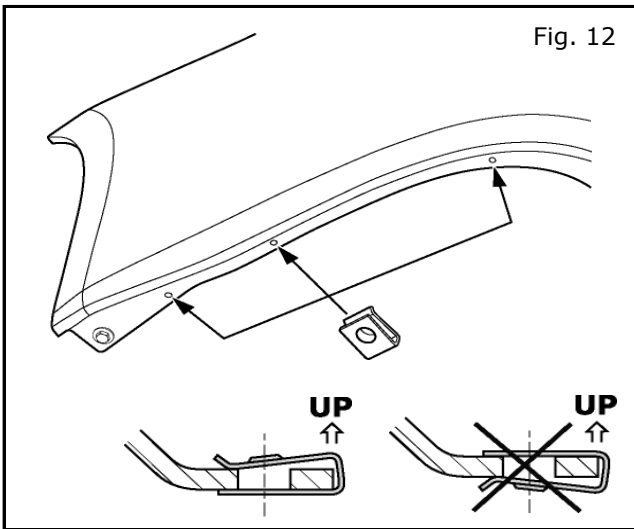
INSTALLATION PROCEDURE:



- 13) Clean installation surface (shaded area) with mild soap/ water mixture.
- 14) Using a clean, lint free cloth, wipe tape area with 90% or greater alcohol.

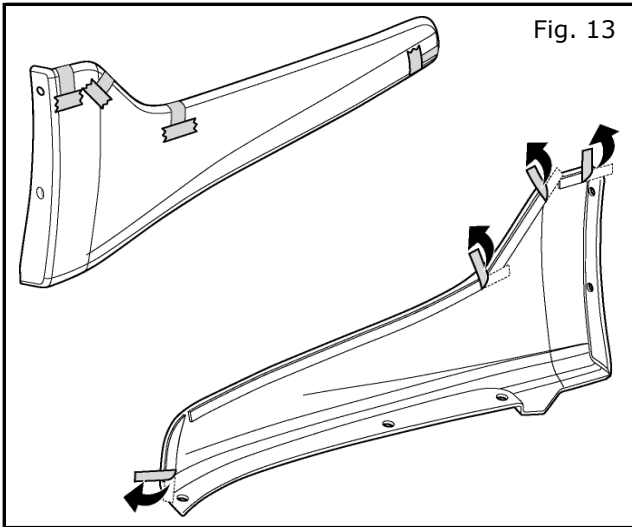


- 15) Install spring nuts(F).

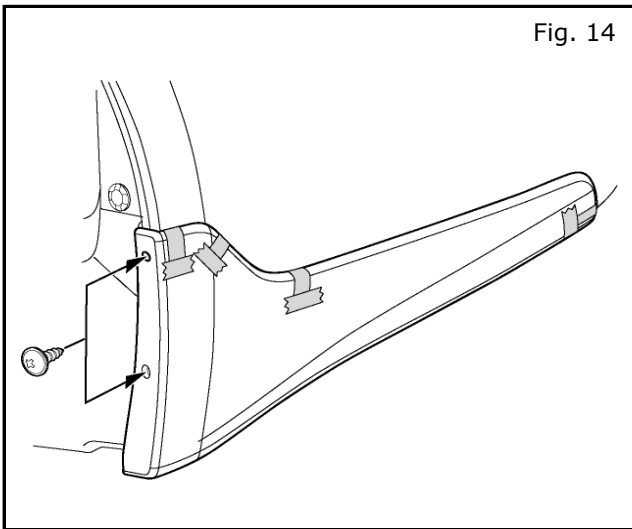


- 16) Install spring nuts(F).

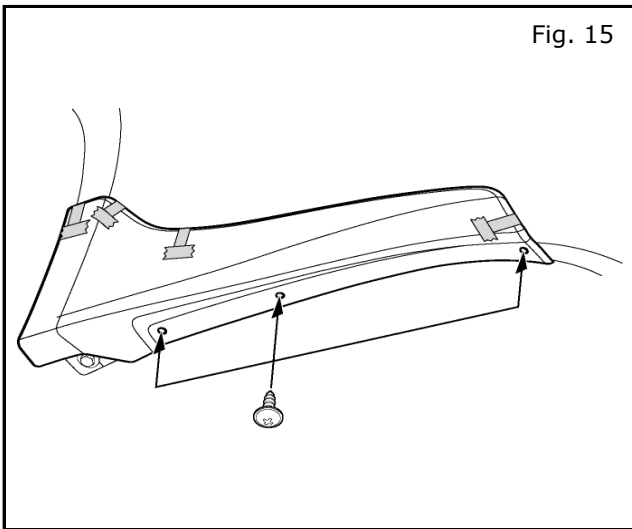
INSTALLATION PROCEDURE:



- 17) Fold tape liner pull tabs onto rear splash guard surface and apply masking tape to ensure that pull tabs are accessible.



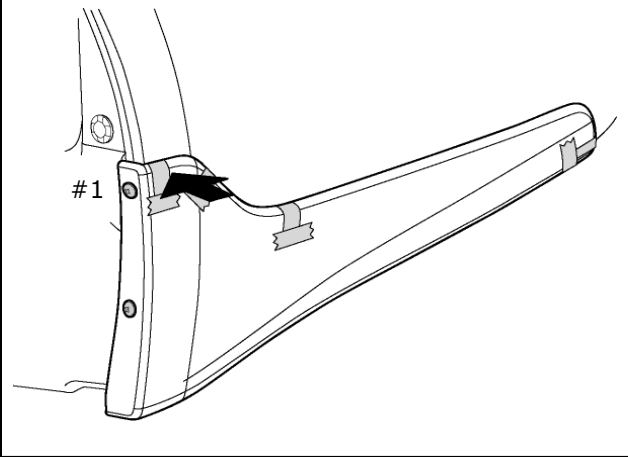
- 18) Align rear splash guard to vehicle and loosely install phillips screws(G).



- 19) Align rear splash guard to vehicle and loosely install phillips screws(G).

INSTALLATION PROCEDURE:

Fig. 16

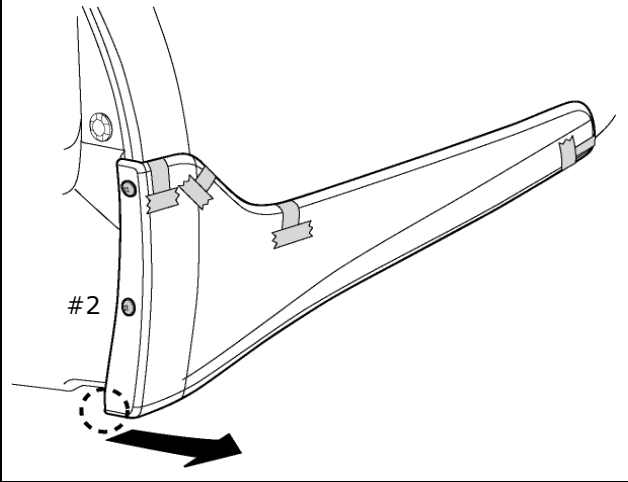


- 20) While pushing splash guard inward, tighten phillips screw (G) #1 as shown in Fig 16.

NOTE:

Do not over tighten screws. Reference Tighten Torque: 3.8~4.4 N-m {34~39 in-lb}

Fig. 17

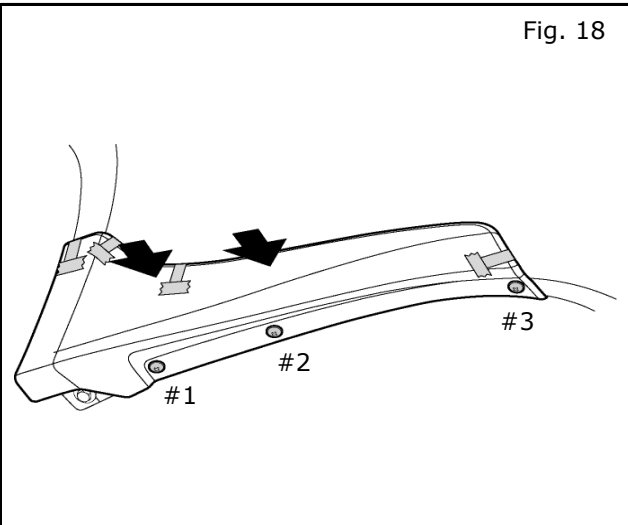


- 21) While pulling splash guard from bottom, tighten phillips screw (G) #2 as shown in Fig. 17.

NOTE:

Do not over tighten screws. Reference Tighten Torque: 3.8~4.4 N-m {34~39 in-lb}

Fig. 18

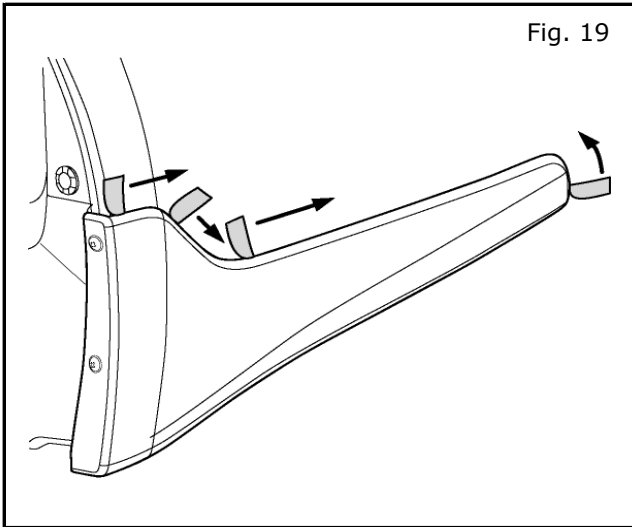


- 22) While holding splash guard against vehicle, tighten phillips screws (G) in sequence shown.

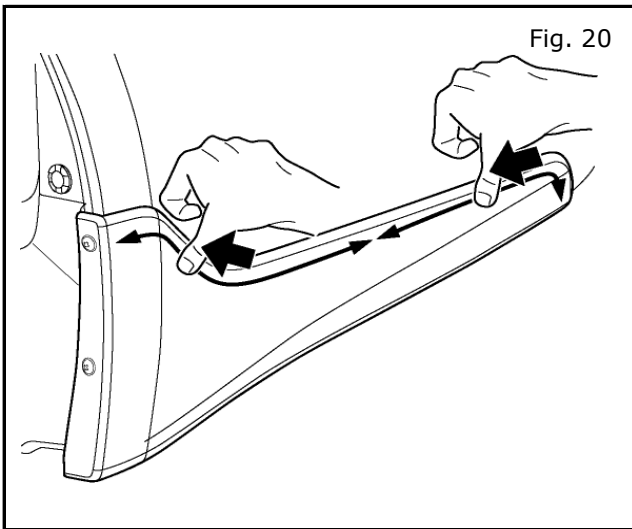
NOTE:

Do not over tighten screws. Reference Tighten Torque: 3.8~4.4 N-m {34~39 in-lb}

INSTALLATION PROCEDURE:



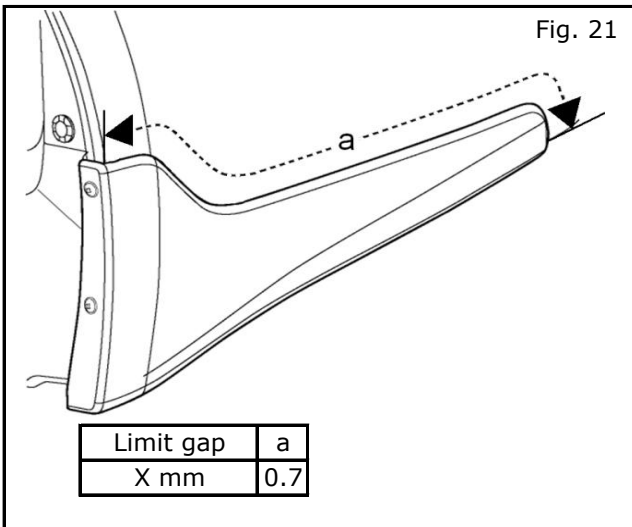
23) Remove tape liners in direction shown by arrows.



24) Apply at least 15lbs of pressure to rear splash guard to ensure that the tape is adhered.

NOTE:

Use a roller or burnish by hand with a rag and apply a minimum of 15lbs of pressure along length of tape.



INSTALLATION PROCEDURE:

ACCESSORY CHECK:

- Check all torque values.
- Clean the rear fascia near the installation areas.
- Check gap. See Fig.21.

FINAL INSPECTION:

- Verify exterior is not damaged.